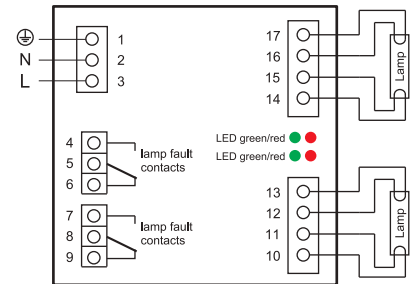
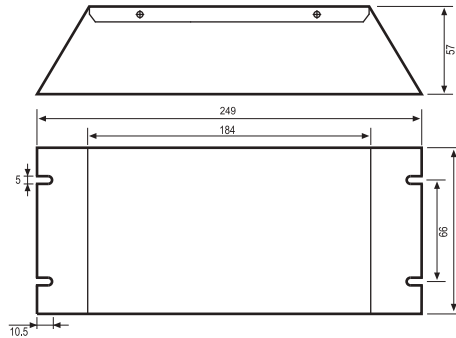


Haisen EPS-Electronic Ballasts 120V/240V AC For High Output UV Lamps



Part Number: 820150003

EPS2X155W/800mA

Technical Data

Lamp power:	100~155W
Lamp type:	GHO64T5L, GPH1554T5LHO TUV64T5LHO
Lamp current:	0.80~0.90A

Mains voltage:	198~264VAC 50/60Hz
Efficiency.:	>90%
Operating frequency:	25~60KHz
Power factor:	>0.9 typ.
Ambient temperature:	0~40°C
Tc-temperature:	Max. 70°C
Dimensions:	249X108X57mm
Weight:	0.90Kg

Features

- > electronic ballast for two-lamps operation
- > to be used with four-wire lamps
- > preheat start
- > status forwarding
 - potential free relay contacts for lamp on / lamp fault
 - relay activated:lamp on
- > relay contacts:
 - potential free,load:50~500mA at 24~277V AC
 - 50~500mA at 5~30V DC

Mounting Restrictions

- Wire gauge: 0.5-1.5mm², strip length: 8mm
- Disconnect input power before installing or servicing
- Ballast case must be grounded
- Don't short any two wires of the input and output wires
- For indoor use only
- Max.Cable length between the ballast and lamp: 5.0m

Instant Version Part number: 8101500004